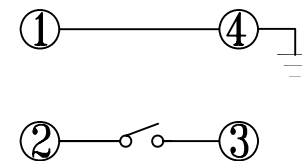
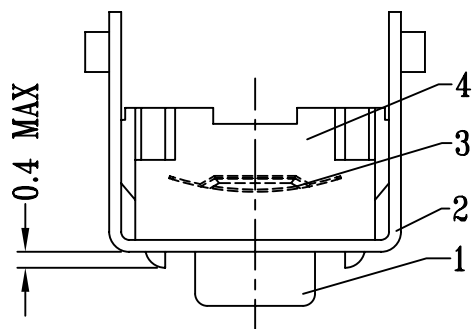
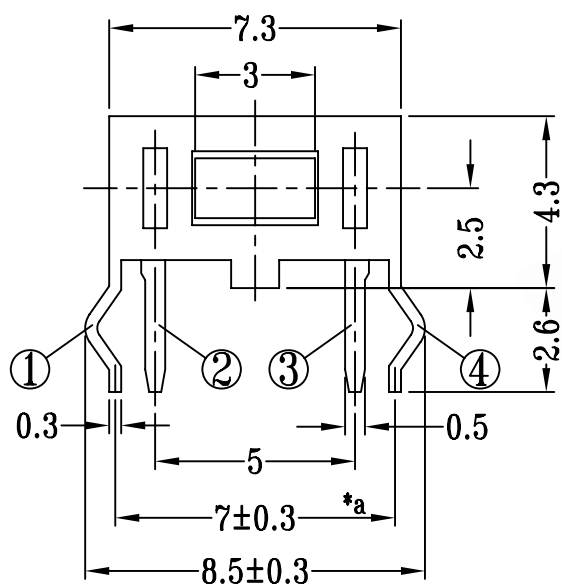


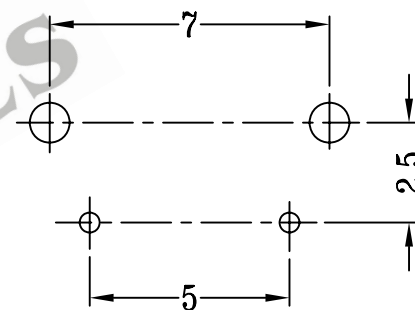
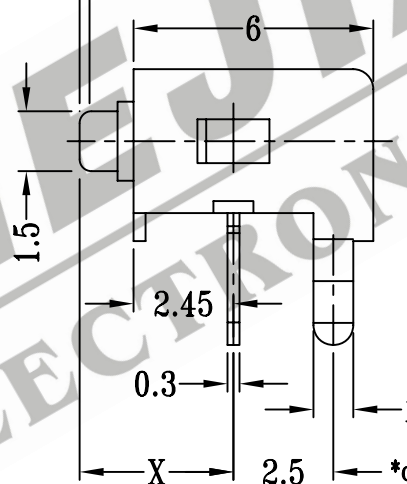
CAD FILE:



SCHEMATIC



\*b 0.25±0.1 TRAVEL



P.C.B LAYOUT

MODEL NO.	X
TC-120V	3.15
TC-121V	3.85
TC-122V	6.85

OPERATING FORCE	CODE
180gf	Y
250gf	Z

注：“\*”表示关键尺寸（3个）

NO.	PARTS	MATERIALS	Q'TY	FINISH	TOLERANCE UNLESS SPECIFIED	SHENZHEN XIEJIA ELECTRONICS CO.,LTD.				
8					WITHIN : 1.5±0.1mm OVER : 1.5±0.2mm	ISSUE	DATE	DESCRIPTIONS OF REVISION		APPD.
7						TITLE : TACT SWITCH				
6						UNIT : mm				
5					MODEL: TC-120V-122V					
4	CASE	NYLON/BRASS STRIP	1	BLACK/Ag PLATED	SCALE: 5:1					
3	CONTACT	SEE CONTACT CHART	1	WASHING	DWN. ZHOUYU 2002-7-5					
2	COVER	ZINC PLATE	1	WASHING	CHK'D FANGYING 2002-7-5					
1	KNOB	POM/NYLON	1	SEE KNOB CHART	APPD. KANGXINAN 2002-7-5					
					ALL MATERIALS MUST BE COMPLIANT TO ROHS					